

SEETRONIC

Product Data Sheet

Product Type **XLR Socket**

Product Model **MK4F2C**

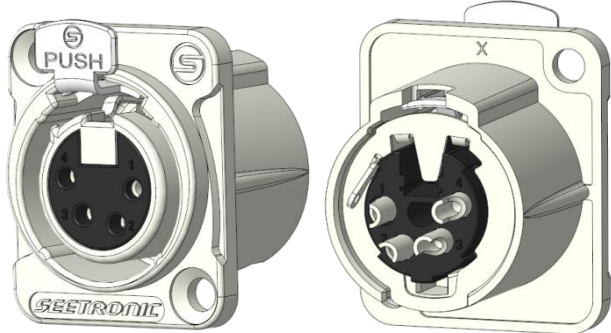
Customer Name

Manufacturer	Prepared	Checked	Approved

Customer	Received	Checked	Confirmed



Product Data Sheet

Product Type	XLR Socket	
Product Model	MK4F2C	

Product Features

- 4-pin XLR female socket with zinc alloy and pearl chrome plated housing and silver plated contacts
- D-shape metal shell with industry standard D-type installation dimensions provides installation compatibility
- Mountable from the front or rear of the panel
- Short axial size, space saving and lightweight



Product Data Sheet

Product Parameters

Item	Specification
Connection type	XLR
Gender	Female

Electrical Parameters

Item	Specification
Capacitance between contacts	≤ 7 pF
Contact resistance	≤ 5 m Ω
Dielectric strength	1500V DC
Insulation resistance	> 10 G Ω (initial)
Rated current per contact	10 A
Rated voltage	< 50 V



Product Data Sheet

Mechanical Parameters

Item	Specification
Service Life	> 1000 mating cycles
Insertion force	≤ 20 N
Withdrawal force	≤ 20 N
Screw fixing torque	Latch lock
Chassis shape	D



Product Data Sheet

Material and Environmental Parameters

Item	Specification
Housing	Zinc alloy
Housing plating	Cr
Insert	PA
Contacts	Cu alloy
Contact plating	Ag
Flame-retardant grade	UL 94-V0
Temperature range	-30°C ~ +80°C
Protection class	IP40
Solderability	Complies with IEC 68-2-20

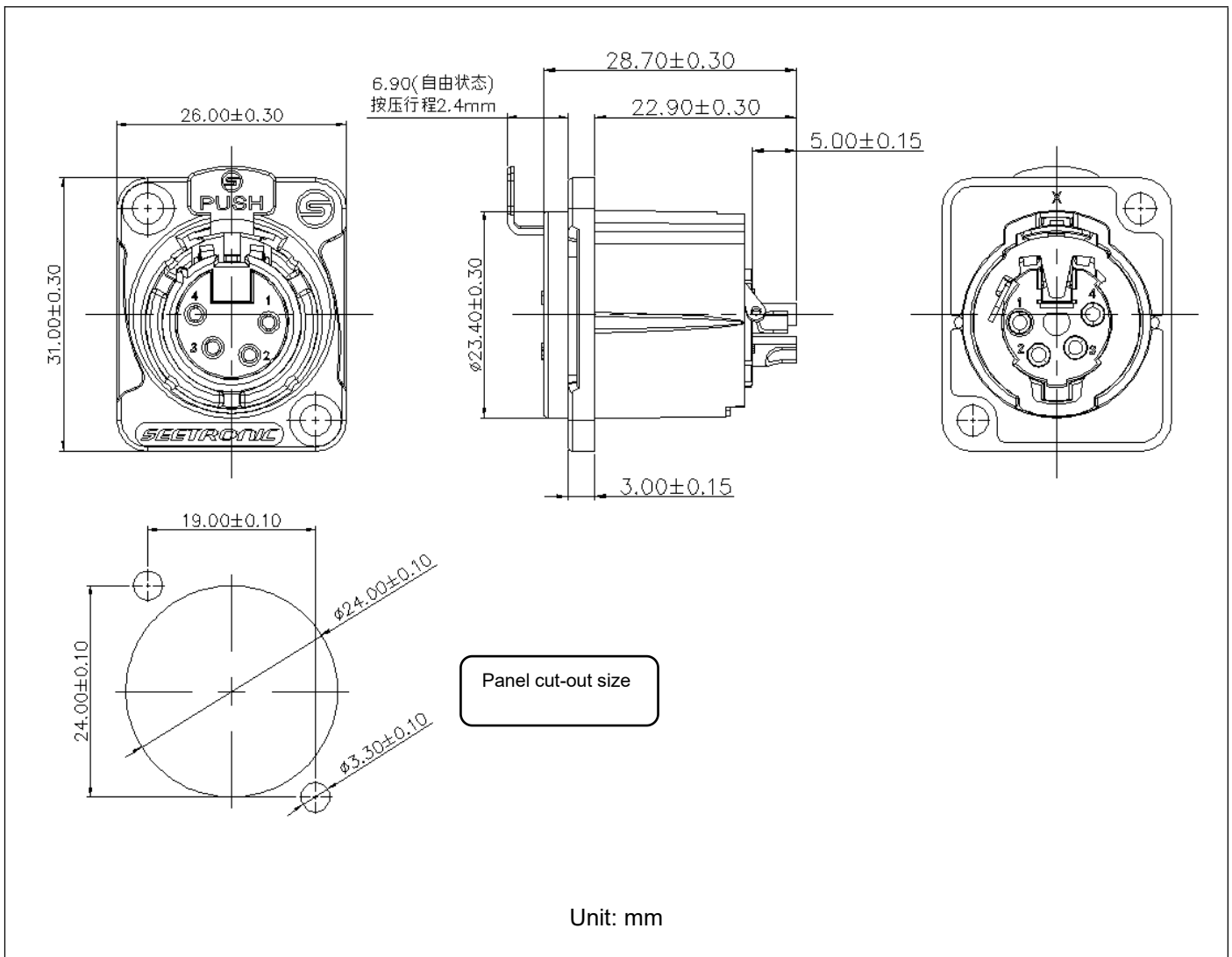
Standards and Certifications

Standards	IEC 61076-2-103
-----------	-----------------



Product Data Sheet

Product Drawing



Packaging Method

Blister box packaging

20 pcs per blister box, 100 pcs per inner carton, 5 inner carton per master carton (500 pcs per master carton)



Product Data Sheet

Accessory

- | | |
|--|--|
| <input checked="" type="checkbox"/> No accessories | <input type="checkbox"/> Back fastener plate |
| <input type="checkbox"/> Screws and Nuts | <input type="checkbox"/> Other |

Assembly Instructions

Install the socket on the front or rear of the panel and tighten the screws with 0.5 Nm torque in clockwise direction.

